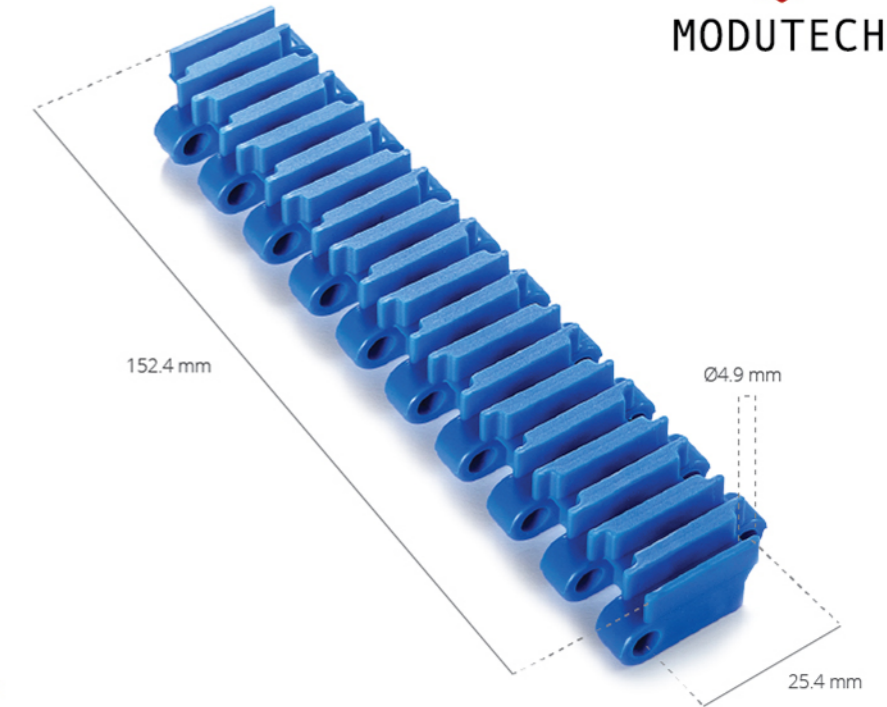


HP254 RR

| | |
|----------------|-----------------------------|
| Pitch: | 25.4 mm |
| Belt Surface: | Open, Raised Rib Surface |
| Minimum Width: | 152.4 mm |
| Open Area (%): | %16 |
| Flight: | Yes (T25, T50, TC50, T75) |
| Sidewall: | Yes (h=25 mm, h=50 mm) |
| Rod: | Ø4.9 mm |
| Approved: | FDA and EU |
| Curve: | No |
| Color: | Additional colors available |
| Cleanability: | Good |
| Belt Width: | 15,7 mm |
| Comb: | Yes |



Product Features and Functional Benefits

- Less friction and product contact for easy cooking, cooling and freezing of products.
- Reduces back line pressure with up to %70.
- Reduced dirt and oxide build up due to self cleaning surface.
- Finger plate for trouble free transfer.
- Unique sprocket engagement reduces pulsation and increases load capacity.

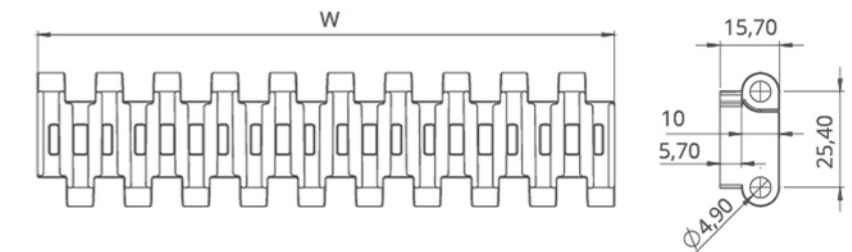
HP254 RR / Technical Information

| BELT MATERIAL | BELT STRENGTH | | | | TEMPERATURE | | BELT WEIGHT Kg/m ² |
|---------------|---------------|-------|-------|-----|-------------|---------|----------------------------------|
| | Straight | | Curve | | C(min.) | C(max.) | |
| | Kg/m | N/m | Kg/m | N/m | | | |
| Polypropylene | 1462 | 14620 | - | - | +5 | +90 | 7.30 |
| Polyethylene | 1300 | 13000 | - | - | -73 | +66 | 7.60 |
| Acetal | 1625 | 16250 | - | - | -43 | +110 | 7.90 |

- Belt strength and temperature values are maximum on the table.

HP254 RR / Standard Belt Widths

| BELT SERIES | WIDTH (W) | | | | Belt Width Tolerance (max.) |
|-------------|-----------|--------|--------|--------|-----------------------------|
| | PP-PE | | POM | | |
| | (mm) | (inch) | (mm) | (inch) | |
| HP254 | 152,4 | 6" | 152,4 | 6" | ± 0,5 mm |
| HP254 | 228,6 | 9" | 228,6 | 9" | ± 2 mm |
| HP254 | 304,8 | 12" | 304,8 | 12" | ± 2 mm |
| HP254 | 381 | 15" | 381 | 15" | ± 3 mm |
| HP254 | 457,2 | 18" | 457,2 | 18" | ± 3 mm |
| HP254 | 533,4 | 21" | 533,4 | 21" | ± 3 mm |
| HP254 | 609,6 | 24" | 609,6 | 24" | ± 3 mm |
| HP254 | 685,8 | 27" | 685,8 | 27" | ± 4 mm |
| HP254 | 762 | 30" | 762 | 30" | ± 4 mm |
| HP254 | 838,2 | 33" | 838,2 | 33" | ± 4 mm |
| HP254 | 914,4 | 36" | 914,4 | 36" | ± 4 mm |
| HP254 | 990,6 | 39" | 990,6 | 39" | ± 4 mm |
| HP254 | 1066,8 | 42" | 1066,8 | 42" | ± 4 mm |
| HP254 | 1143 | 45" | 1143 | 45" | ± 4 mm |



- Standard belt increments 76.2 mm.
- Non standard belt increments 15 mm.
- Please contact with customer service for precise belt measurements.

HP254 RR

Modular Belt Seriest

• Bakery Applications

Cooling Line

• Snack Food Applications

Cooling Line

• Fruits and Vegetables Applications

Palletizing / Depalletizing, Sterilization Conveyance

• Automotive Applications

Battery Filling

• Tire Manufacturing Applications

Dip Tank

• Packaging Applications

Accumulation, Palletizing / Depalletizing

• Textile Applications

Dyeing

• Beverages and Bottling Applications

Glass Palletizing / Depalletizing, Pasteurizers / Warmers, Accumulation Tables

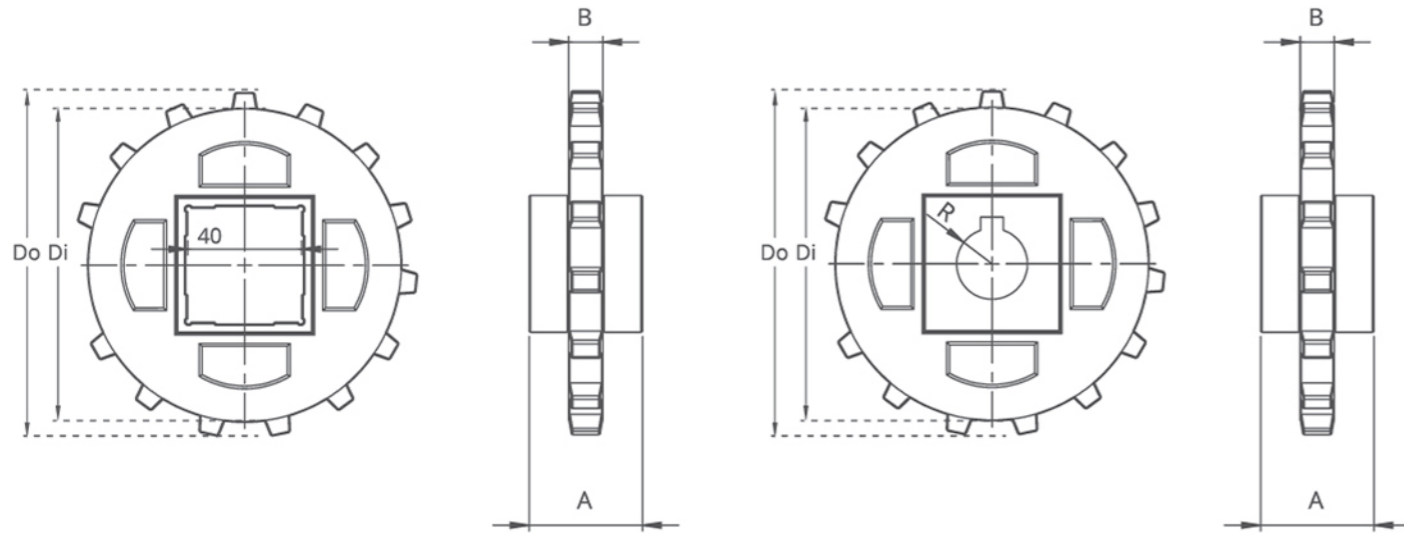
• Pasta Applications

Blanchers, Pasteurizers, Cooling Lines

• Meat Applications

Microwaves, Cooling and Freezing Lines

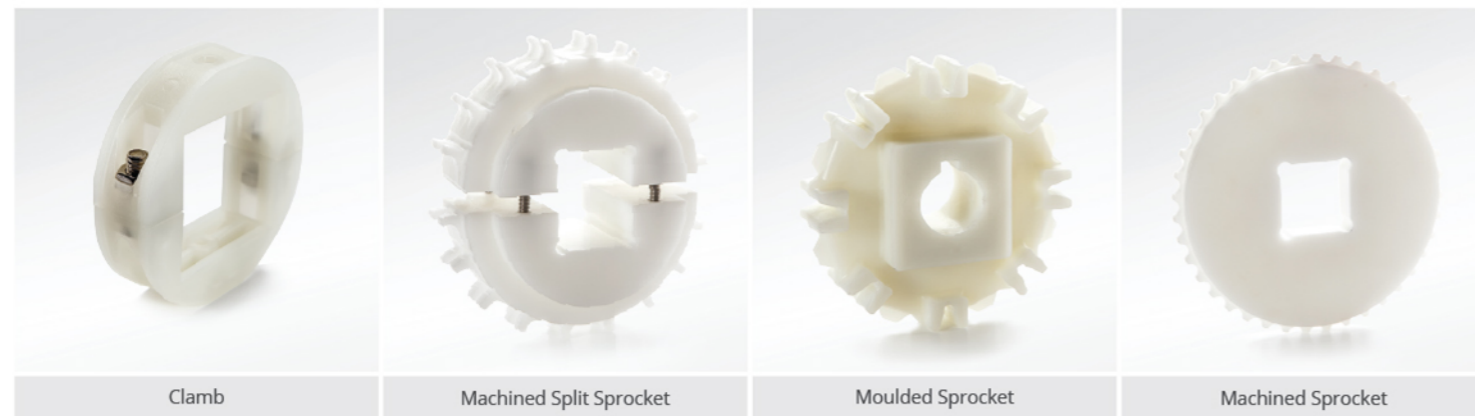
HP254 Series Sprockets and Technical Specifications



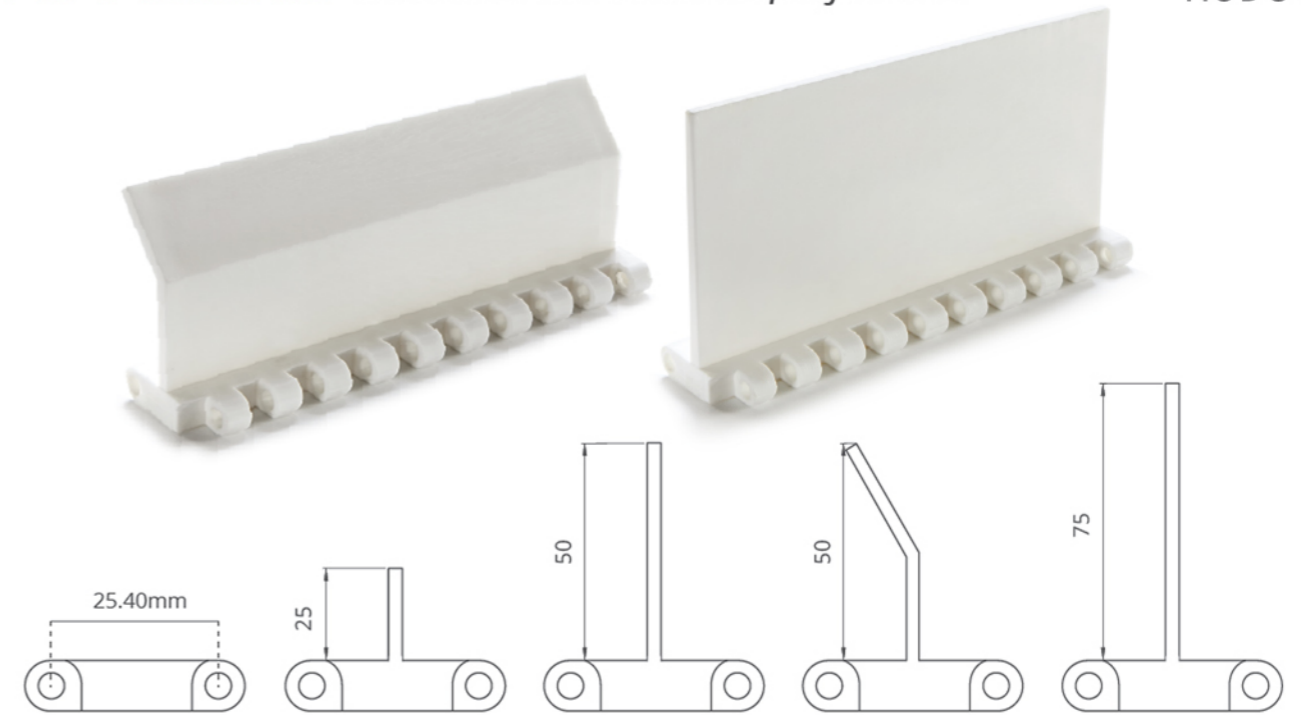
HP254 Series / Standard Sprockets Dimensions

| NO.TEETH | Di | Do | B | A | Square Bore (Q) | Round Bore (R) | PRODUCT CODE | |
|----------|----------|----------|---------|---------|-----------------|----------------|-----------------|----------------|
| | | | | | | | Square Type (Q) | Round Type (R) |
| Z10 | 71.6 mm | 82.5 mm | 12.0 mm | 40.0 mm | 40.0 mm | 25.0 / 30.0 | HP254SQZ10*POM | HP254SRZ10*POM |
| Z12 | 89.0 mm | 99.5 mm | 12.0 mm | 40.0 mm | 40.0 mm | 25.0 / 30.0 | HP254SQZ12*POM | HP254SRZ12*POM |
| Z15 | 114.0 mm | 124.0 mm | 12.0 mm | 40.0 mm | 40.0 mm | 25.0 / 30.0 | HP254SQZ15*POM | HP254SRZ15*POM |
| Z18 | 138.3 mm | 149.5 mm | 12.0 mm | 40.0 mm | 40.0 mm | 25.0 / 30.0 | HP254SQZ18*POM | HP254SRZ18*POM |

*Other sprockets and hub sizes are manufactured up to request. *POM (Acetal) and PP (Polypropylene) sprockets raw material is available on request.



HP254 Series Accessories and Technical Specifications

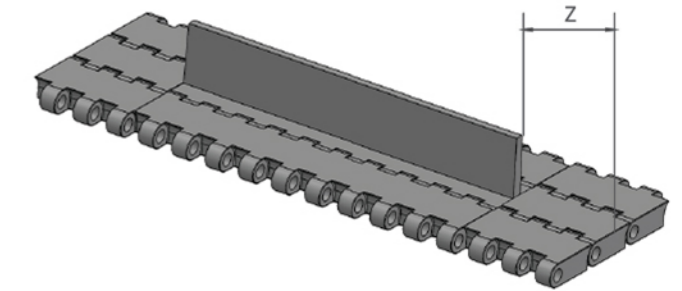


* Additional flight dimensions are available up to 75 mm

HP254 Series / Flight Technical Specifications

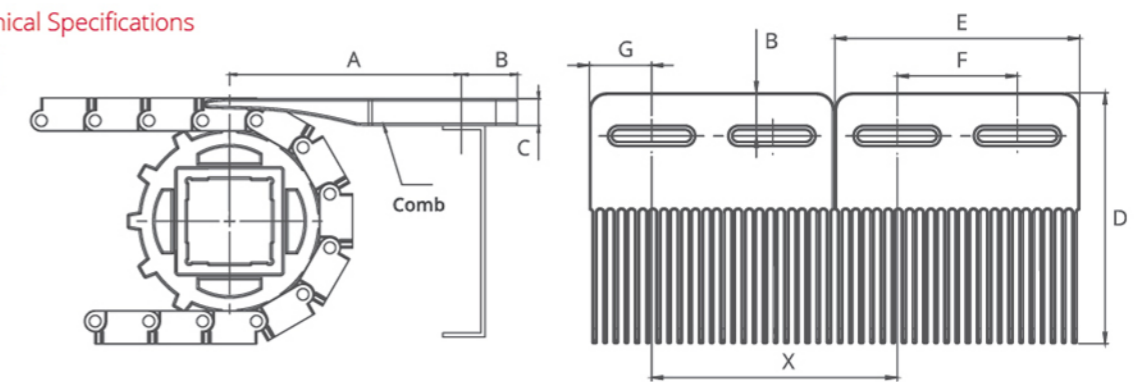
| Possible Flight Indets for 25,4 mm Series | Z | |
|---|------|--------|
| | (mm) | (inch) |
| Standart, no module cutting | 15 | 0,59 |
| Standart, no module cutting | 30 | 1,18 |
| Standart, no module cutting | 45 | 1,77 |
| Standart, no module cutting | 60 | 2,36 |
| Standart, no module cutting | 75 | 2,95 |

*Non-standard flight indent is on request.



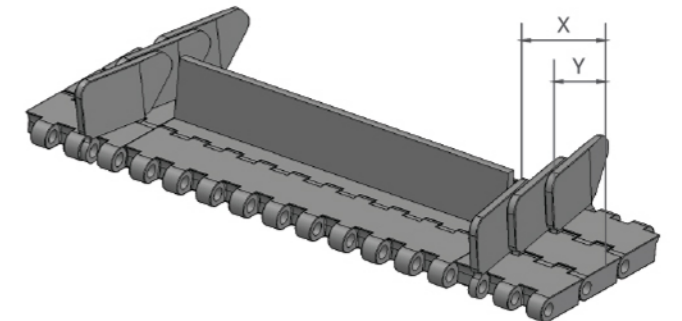
HP254 Series / Comb Technical Specifications

| | (inch) | (mm) |
|---|---------|---------|
| A | 4,1-4,5 | 105-115 |
| B | 0,98 | 25 |
| C | 0,49 | 12,5 |
| D | 5,75 | 146 |
| E | 5,91 | 150 |
| F | 2,95 | 75 |
| G | 1,48 | 37,5 |
| X | 6,10 | 155 |



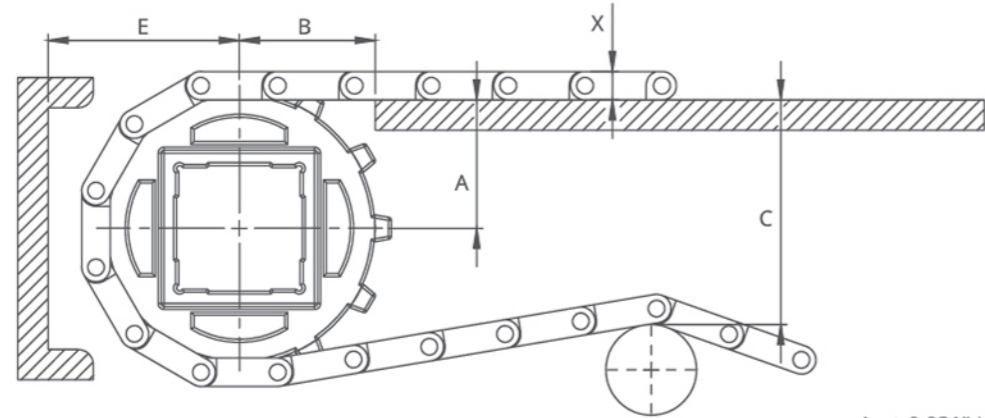
HP254 Series / Sidewall Technical Specifications

| Possible Sidewall and Flight Indets | X | | Y | |
|-------------------------------------|------|--------|------|--------|
| | (mm) | (inch) | (mm) | (inch) |
| Standart, no module cutting | 24 | 0,94 | 15 | 0,59 |
| Module cutting necessary | 32 | 1,26 | 22 | 0,87 |
| Standart, no module cutting | 40 | 1,57 | 30 | 1,18 |
| Module cutting necessary | 48 | 1,89 | 37 | 1,46 |
| Standart, no module cutting | 56 | 2,20 | 45 | 1,77 |
| Module cutting necessary | 64 | 2,52 | 53 | 2,09 |



Note: Gap between flight and sidewall minimum 2-3 mm
Gap between flight and sidewall maximum 10 mm

HP254 Series Engineering Information

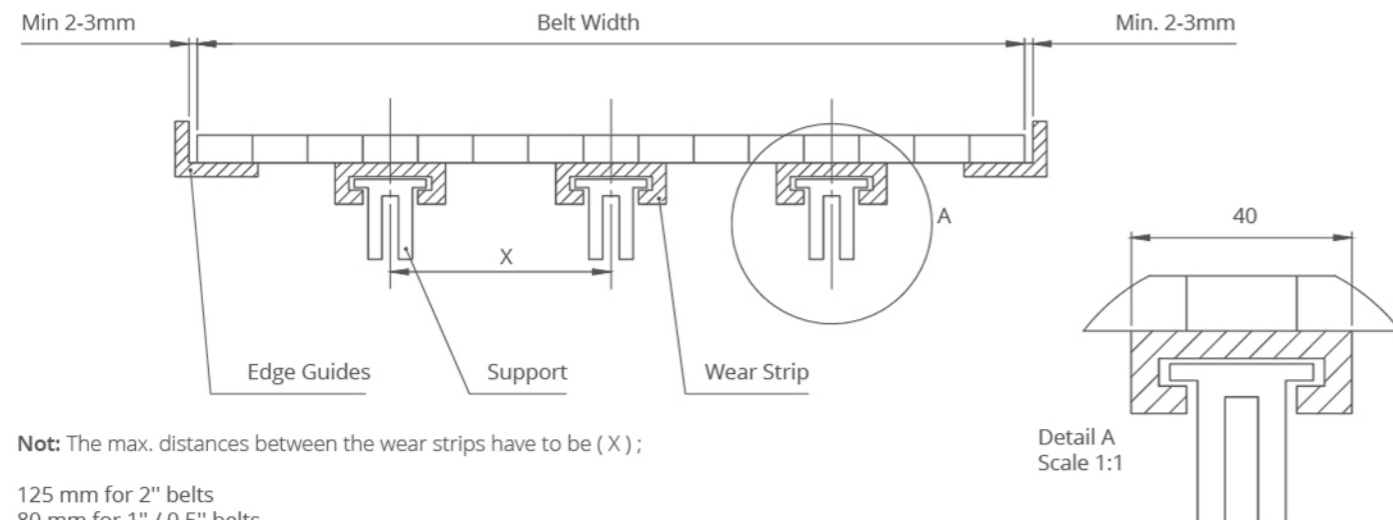


A - ± 0,031" (1mm) C - ± (Max.)
 B - ± 0,125" (3mm) E - ± (Min.)

HP254 Series / Conveyor Frame Dimensions

| Sprockets Description | | | A | | B | | C | | E | | X | |
|-----------------------|-----|----------|-----------------------|-------|------|----|------|-------|------|-------|------|-------|
| Pitch Diameter | | No.Teeth | Range (Bottom to Top) | | In. | mm | In. | mm | In. | mm | In. | mm |
| In. | mm | | In. | mm | | | | | | | | |
| HP254 C, HP254 PR%23 | | | | | | | | | | | | |
| 3,07 | 78 | 10 | 1,45 | 36,75 | 1,65 | 42 | 2,36 | 60 | 2,23 | 56,75 | 0,39 | 10 |
| 3,70 | 94 | 12 | 1,79 | 45,5 | 1,77 | 45 | 2,95 | 75 | 2,58 | 65,5 | 0,39 | 10 |
| 4,61 | 117 | 15 | 2,15 | 54,5 | 2,01 | 51 | 3,35 | 85 | 2,93 | 74,5 | 0,39 | 10 |
| 5,59 | 142 | 18 | 2,76 | 70 | 2,17 | 55 | 4,33 | 110 | 3,54 | 90 | 0,39 | 10 |
| HP 254 GT | | | | | | | | | | | | |
| 3,07 | 78 | 10 | 1,45 | 36,75 | 1,65 | 42 | 2,48 | 63 | 2,35 | 59,75 | 0,51 | 13 |
| 3,70 | 94 | 12 | 1,79 | 45,5 | 1,77 | 45 | 3,07 | 78 | 2,70 | 68,5 | 0,51 | 13 |
| 4,61 | 117 | 15 | 2,15 | 54,5 | 2,01 | 51 | 3,46 | 88 | 3,05 | 77,5 | 0,51 | 13 |
| 5,59 | 142 | 18 | 2,76 | 70 | 2,17 | 55 | 4,45 | 113 | 3,66 | 93 | 0,51 | 13 |
| HP 254 RR | | | | | | | | | | | | |
| 3,07 | 78 | 10 | 1,45 | 36,75 | 1,65 | 42 | 2,59 | 65,7 | 2,46 | 62,45 | 0,62 | 15,70 |
| 3,70 | 94 | 12 | 1,79 | 45,5 | 1,77 | 45 | 3,18 | 80,7 | 2,80 | 71,2 | 0,62 | 15,70 |
| 4,61 | 117 | 15 | 2,15 | 54,5 | 2,01 | 51 | 3,57 | 90,7 | 3,16 | 80,2 | 0,62 | 15,70 |
| 5,59 | 142 | 18 | 2,76 | 70 | 2,17 | 55 | 4,56 | 115,7 | 3,77 | 95,7 | 0,62 | 15,70 |

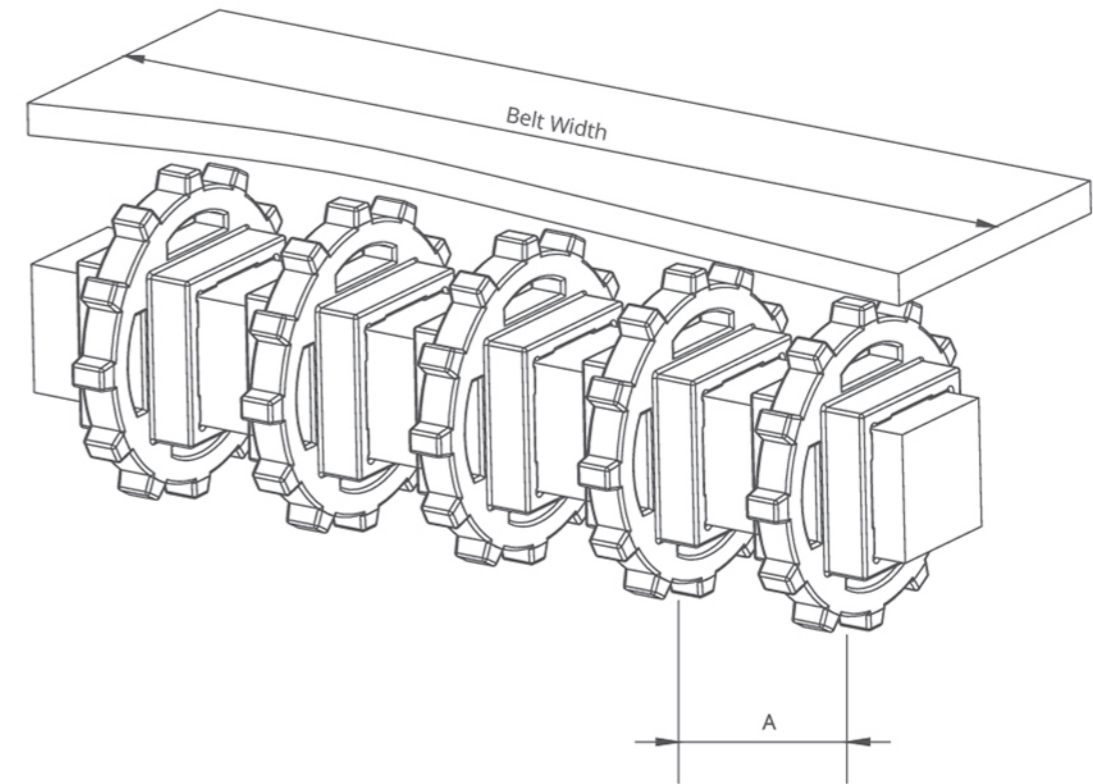
HP254 Series / Slider Support System For Straight Running Belts



Not: The max. distances between the wear strips have to be (X) ;

125 mm for 2" belts
 80 mm for 1" / 0.5" belts

HP254 Series Engineering Information



HP254 Series / Sprockets Arrangement

| Standard Belt Width | | Number of sprockets per shaft | | A (mm/inch) | |
|---------------------|------|-------------------------------|--------------|-------------|---------|
| mm | inch | Drive Shaft | Return Shaft | Min. | Max. |
| 152,4 | 6 | 2 | 2 | 60/2,36 | 170/6,6 |
| 228,6 | 9 | 2 | 2 | 60/2,36 | 170/6,6 |
| 304,8 | 12 | 3 | 2 | 60/2,36 | 170/6,6 |
| 381 | 15 | 4 | 3 | 60/2,36 | 170/6,6 |
| 457,2 | 18 | 5 | 3 | 60/2,36 | 170/6,6 |
| 533,4 | 21 | 5 | 3 | 60/2,36 | 170/6,6 |
| 609,6 | 24 | 6 | 3 | 60/2,36 | 170/6,6 |
| 685,8 | 27 | 6 | 4 | 60/2,36 | 170/6,6 |
| 762 | 30 | 7 | 4 | 60/2,36 | 170/6,6 |
| 838,2 | 33 | 7 | 4 | 60/2,36 | 170/6,6 |
| 914,4 | 36 | 8 | 4 | 60/2,36 | 170/6,6 |
| 990,6 | 39 | 8 | 5 | 60/2,36 | 170/6,6 |
| 1066,8 | 42 | 9 | 5 | 60/2,36 | 170/6,6 |
| 1143 | 45 | 9 | 5 | 60/2,36 | 170/6,6 |
| 1219,2 | 48 | 10 | 5 | 60/2,36 | 170/6,6 |
| 1295,4 | 51 | 10 | 6 | 60/2,36 | 170/6,6 |
| 1371,6 | 54 | 11 | 7 | 60/2,36 | 170/6,6 |
| 1447,8 | 57 | 11 | 7 | 60/2,36 | 170/6,6 |
| 1524 | 60 | 12 | 7 | 60/2,36 | 170/6,6 |
| 1600,2 | 63 | 12 | 8 | 60/2,36 | 170/6,6 |
| 1676,4 | 66 | 12 | 8 | 60/2,36 | 170/6,6 |
| 1752,6 | 69 | 13 | 8 | 60/2,36 | 170/6,6 |
| 1828,8 | 72 | 14 | 9 | 60/2,36 | 170/6,6 |
| 1905 | 75 | 14 | 9 | 60/2,36 | 170/6,6 |
| 1981,2 | 78 | 15 | 10 | 60/2,36 | 170/6,6 |
| 2057,4 | 81 | 15 | 10 | 60/2,36 | 170/6,6 |

Note: Number of sprockets depends on the belt load.